

Medius 50-2100

6-Axis Industrial Robot Arm



Robust and Durable Design

All joints use precision cycloidal reducers made in Taiwan
Cast iron construction



Ease of use

Web-based user-friendly interface
Operatable on teach pendant, computer and mobile devices

Ease of maintenance

Minimum use of proprietary parts
Pain-free part replacement and low long term operation cost

Industrial 4.0

Modbus TCP communication with production line
Plug and play for numerous applications
Built-in server for production data collection and big data

Safety First

Safety controller and dual channel protective circuits
Easy integration with 3rd party safety devices



Reach (mm)

2100



Payload (kg)

50



No. of axes

6

Medius 50-2100

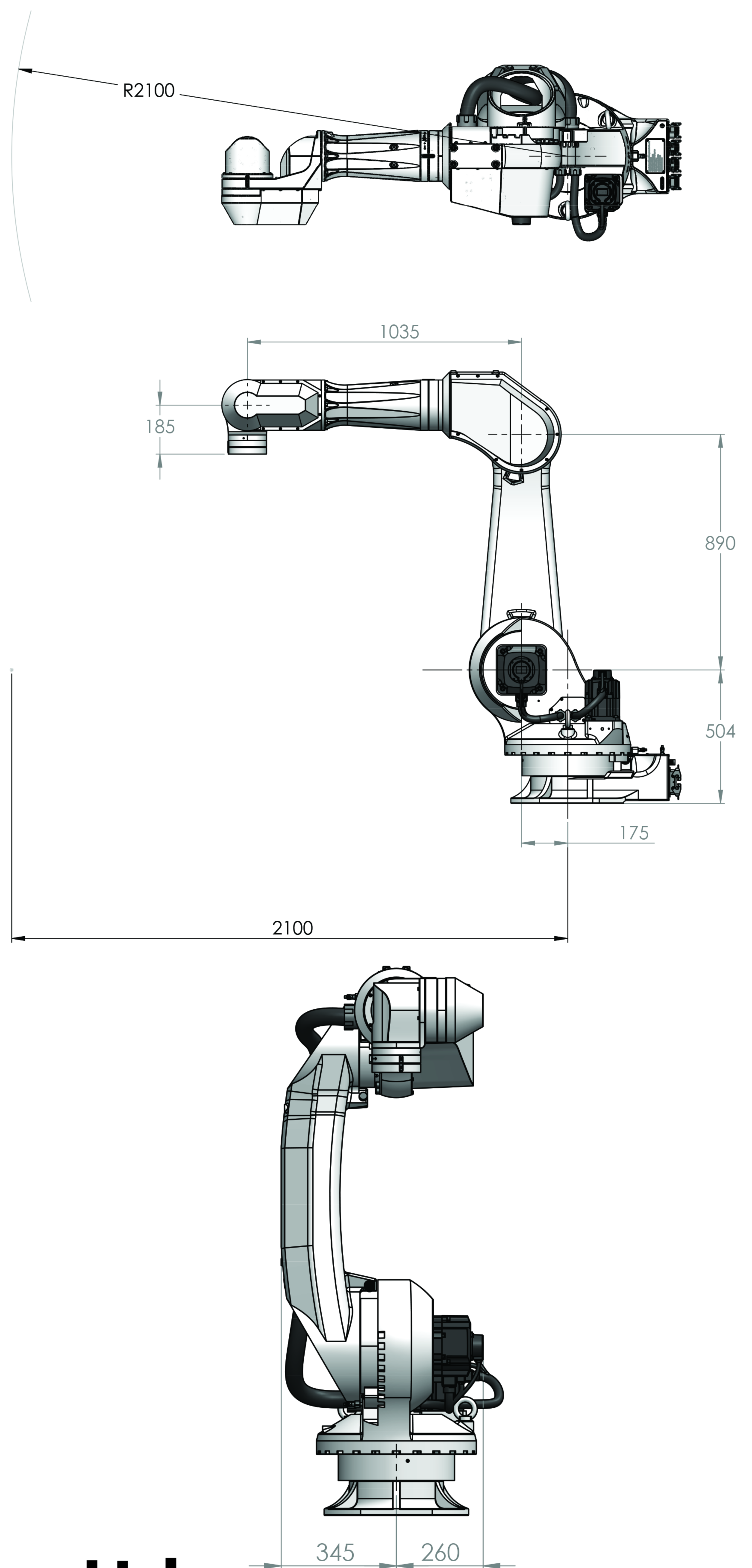
6-Axis Industrial Robot Arm

Robot Specifications

Item	Specification
Model	Medius 50-2100
Robot type	Articulated robot
Number of axis	6
Drive system	AC servo system
Max payload	50kg
Reach	2100mm
Repeatability	±0.06mm
Mount	Floor installation
Robot mass	720kg
Application	Handling, machine tending, palletizing, dispensing and more
Communication protocol	Modbus TCP and OPC UA
Controller	Taiwan designed self-developed embedded Linux solution robot controller
Motion Control	EtherCAT servo motion control protocol
Gear Reducer	Precision cycloidal reducer Made in Taiwan
Safety controller	Dual channel safety circuit in accordance with ISO 10218-1, ISO 13849-1 PL d

*The specifications are subjected to change without prior notice

Product Dimensions



Maesot Heavy Industries Co., Ltd.

Taiwan Headquarter

Bangkok Branch

Mae Sot Branch

Website
Line Official

No. 48-2, Ln. 276, Sec. 5, Anhe Rd, Annan Dist, Tainan City, Taiwan (R.O.C.) 709019

TEL: +886(0)6-3552889 FAX: +886(0)6-3552897 Email: info@sinomya.com.tw

1518 Pracharat 1 Road, Wongsawang, Bangsue, Bangkok, Thailand 10800

TEL: +66(0)95-050-9883 Email: sales@mhi.co.th

858 Mool, Phra That Pha Daeng, Mae Sot City, Tak Province, Thailand 63110

TEL: +66(0)55-508-883, +66(0)55-508-638, +66(0)55-030-240 Email: sales@mhi.co.th

mhi.co.th

@maesotheavy